



Tire Recycling Equipment Solutions
For Profit and Planet

PRIMARY TIRE SHREDDER

The Industry's Most Productive

The CM Primary Shredder shreds whole passenger, truck, super single, farm implement and OTR tires into clean shreds or chips. With a capacity of 20 tons of tires per hour, it is the most productive primary shredder in the tire recycling market today.

Turnkey Ready

Our patented DOUBLE-STACK knife design operates at extremely close tolerances which produces the industry's cleanest cut with very little exposed wire. The knives can be resharpened and reused which significantly increases lifespan and decreases costs.

Features at a glance:

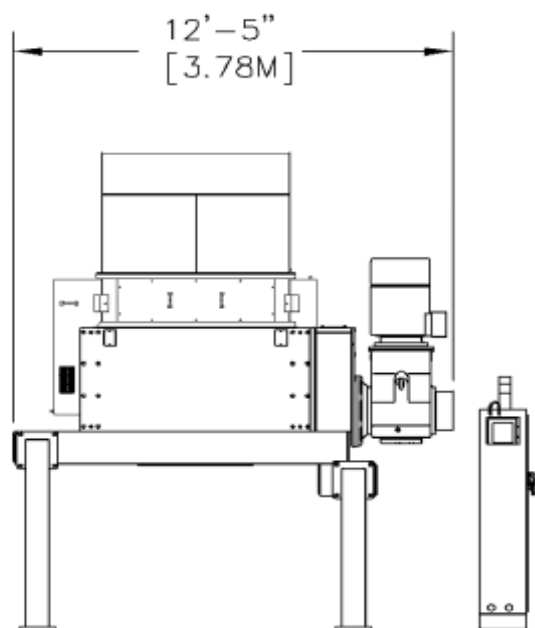
- Utilizes CM's Patented Knife Design
- Ability to be bulk fed for more efficient operation
- Energy efficient twin drive system
- Produces a variety of chip sizes
- Lowest operating costs among competitive shredders



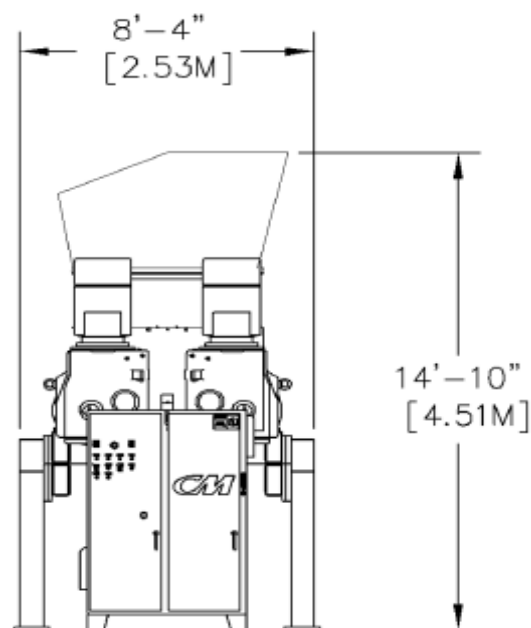
For more information or to see the Primary Tire Shredder in action,
please visit www.cmeshredders.com



Primary Tire Shredder Engineering



PRIMARY SHREDDER



61,280 LBS
[27800 KG]

Customer Service is Second to None.

We carry a complete line of replacement parts for all CM Tire Shredding Systems with shipping on standard parts within 24 hours. Our dedicated Customer Service Team is available to take your part orders via email, telephone or fax. We use various freight carriers to ensure you will receive your package on time and at the lowest cost.

We also provide Field Service Technicians support if your equipment needs maintenance or repairs. Depending on location, our technicians can generally be on your site within 24 hours.

For more information,
please call us at

Tel : 82-31-8065-6778

Fax : 82-31-8065-6789

E-mail : jack@cnb-tech.co.kr



CM Tire Recycling Equipment Solutions

#911 Tower-Dong, Heungdeok IT Valley, 13, Heungdeok 1-ro, Giheung-gu, Youngin-Si, Gyeonggi-do, Korea

C&B Tech Co., Ltd